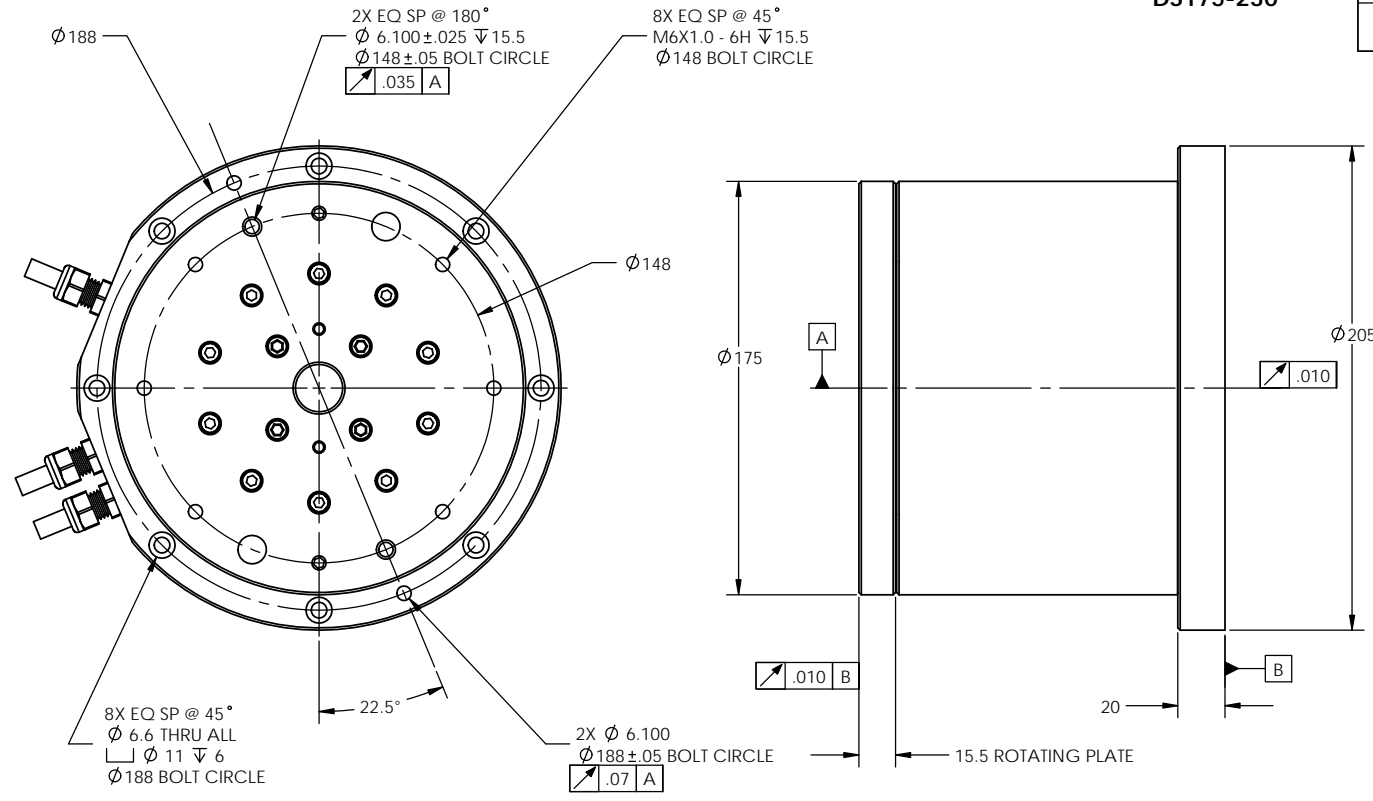


DS145 MECHANICAL PROPERTIES					
HEIGHT (MM)	130	155	180	205	230
POWER (WATTS)	750	1,500	2,000	2,500	3,000
TORQUE, CONT (N-m)	6.7	14.2	19.2	23.9	29.4
TORQUE, PEAK (N-m)	28.0	47.5	71.1	94.9	118.9
RATED AXIAL LOAD* (N)	1,000	1,000	1,000	1,000	1,000
RATED MOMENT LOAD* (N-m)	3,000	3,000	3,000	3,000	3,000
ROTOR INERTIA (Kg-m ²)	.0075	.0081	.0087	.0093	.0099
MASS (Kg)	12.1	14.0	17.0	21.3	25.6



AVAILABLE WINDINGS						
BACK EMF CONSTANT (VDC/krpm)	WINDING DESIGNATOR	DS175-130	DS175-155	DS175-180	DS175-205	DS175-230
30	BO	X	X			
40	CO	X	X			
50	DO	X	X	X		
60	EO	X	X	X	X	
70	FO	X	X	X	X	X
80	GO	X	X	X	X	X
100	JO	X	X	X	X	X
120	KO	X	X	X	X	X
140	LO	X	X	X	X	X
160	MO	X	X	X	X	X
180	VO	X	X	X	X	X
200	WO	X	X	X	X	X
240	SA	X	X	X	X	X
280	SB	X	X	X	X	X
320	SC	X	X	X	X	X
360	SD	X	X	X	X	X
400	SE	X	X	X	X	X

AVAILABLE ENCODER OPTIONS			
RESOLUTION POST QUAD CTS/REV	ABSOLUTE ACCURACY +/--ARC-SEC	REPEATABILITY +/--ARC-SEC	THRU HOLE PRESENT
11,840 (1Vpp)	30/3	Consult Factory	YES
40,000	240/NA	40	NO
80,000	240/NA	40	NO
236,800	30/3	6	YES
473,600	30/3	4	YES
1,184,000	30/3	2	YES
2,368,000	30/3	1	YES
4,736,000	30/3	0.5	YES

Min Receiver Clock Frequency (MHz)	Max Speed (rpm)								
	Resolution								
	11,840 (1Vpp)	40,000 cts/rev	80,000 cts/rev	47,360 cts/rev	236,800 cts/rev	473,600 cts/rev	1,184,000 cts/rev	2,368,000 cts/rev	4,736,000 cts/rev
50	2,546	2,546	2,546	2,546	2,546	2,546	1,650	825	413
40	2,546	2,546	2,546	2,546	2,546	2,546	1,375	688	344
25	2,546	2,546	2,546	2,546	2,546	2,546	2,063	825	413
20	2,546	2,546	2,546	2,546	2,546	1,719	688	344	172
12	2,546	2,546	2,546	2,546	2,292	1,146	458	229	115
10	2,546	2,546	2,546	2,546	2,063	1,031	413	206	103
8	2,546	2,546	2,546	2,546	1,650	825	328	165	83
6	2,546	2,546	2,546	2,546	1,146	573	229	115	57
4	2,546	2,546	2,546	2,546	858	428	171	86	43
1	2,546	2,546	2,546	1,070	214	107	41	21	11

PROPRIETARY AND CONFIDENTIAL
 THE INFORMATION CONTAINED IN THIS DRAWING IS THE SOLE PROPERTY OF PRIME DRIVES, INC. OF SAN JOSE, CA. ANY REPRODUCTION IN PART OR AS A WHOLE WITHOUT THE WRITTEN PERMISSION OF PRIME DRIVES IS PROHIBITED.

UNLESS OTHERWISE SPECIFIED: DIMENSIONS ARE IN MM TOLERANCES: NONE		DRAWN: STAHLER	NAME:	DATE: 6-5-08	PRIME DRIVES 115 PHELAN AVE #4, SAN JOSE, CA 95112 PH: (408) 993-0202 FAX: (408) 993-0123
3rd ANGLE PROJECTION		CHECKED:	ENG APPR:	MFG APPR:	
INTERPRET GEOMETRIC TOLERANCING PER ANSI Y 14.5		MATERIAL:	DATE:		
FINISH		APPLICATION:	DO NOT SCALE DRAWING		
www.primedrives.com		TITLE: 175MM SERIES DISK SERIES MECHANICAL DIMENSIONS		SIZE: C	DWG. NO: DS175-H
		SCALE: 5:8		WEIGHT:	SHEET 1 OF 1