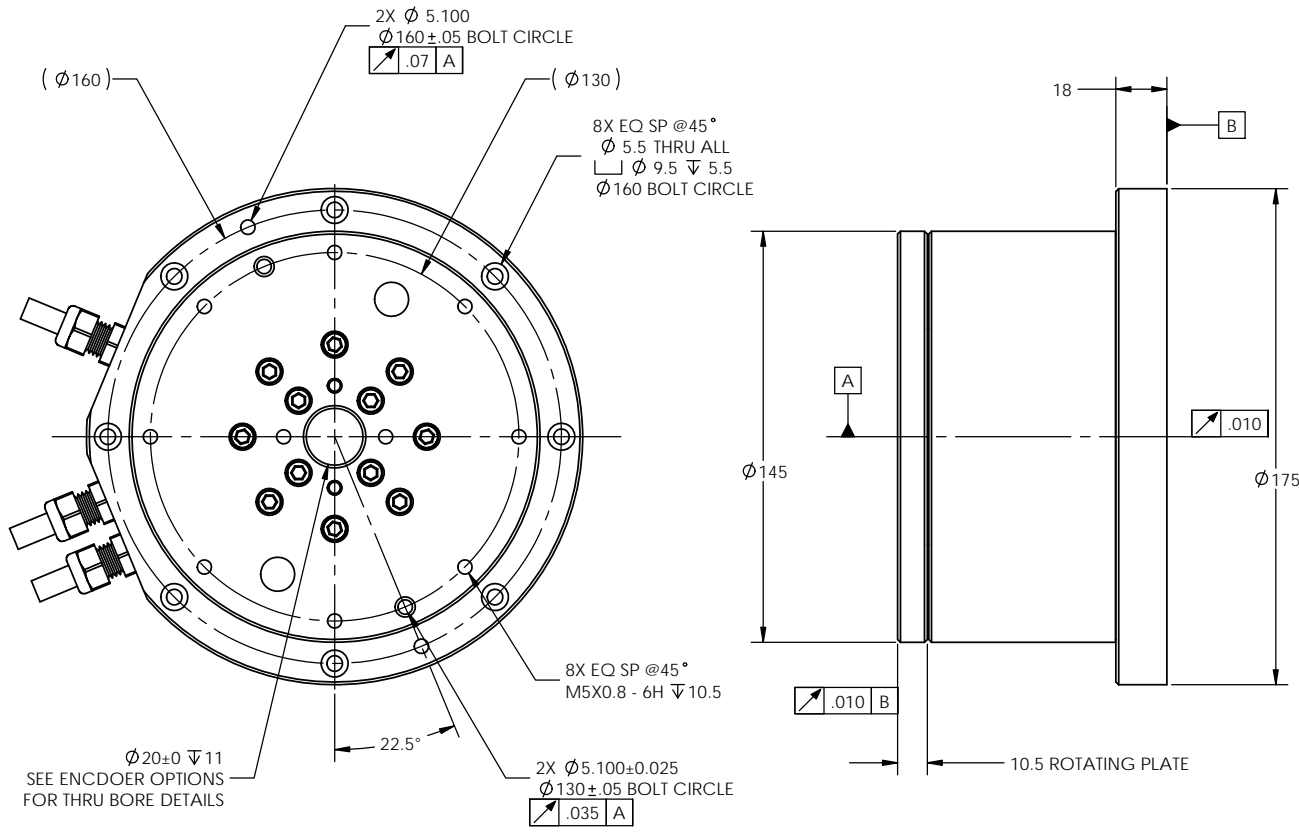


DS145 MECHANICAL PROPERTIES					
HEIGHT (MM)	95	105	115	125	135
POWER (WATTS)	360	670	910	1,250	1,500
TORQUE, CONT (N-m)	2.4	4.4	6.1	8.2	9.9
TORQUE, PEAK (N-m)	7.9	16.9	24.9	32.8	41.8
RATED AXIAL LOAD* (N)	500	500	500	500	500
RATED MOMENT LOAD* (N-m)	1,500	1,500	1,500	1,500	1,500
ROTOR INERTIA (Kg-m <sup>2</sup> )	.0023	.0025	.0027	.0029	.0031
MASS (Kg)	4.4	5.1	5.9	6.7	7.4



AVAILABLE WINDINGS						
BACK EMF CONSTANT (VDC/krpm)	WINDING DESIGNATOR	DS145-95	DS145-105	DS145-115	DS145-125	DS145-135
30	BO	X	X	X	X	
40	CO	X	X	X	X	X
50	DO	X	X	X	X	X
60	EO	X	X	X	X	X
70	FO	X	X	X	X	X
80	GO	X	X	X	X	X
100	JO	X	X	X	X	X
120	KO	X	X	X	X	X
140	LO	X	X	X	X	X
160	MO	X	X	X	X	X
180	VO	X	X	X	X	X
200	WO		X	X	X	X
240	SA		X	X	X	X
280	SB			X	X	X
320	SC			X	X	X
360	SD			X	X	X
400	SE			X	X	X

AVAILABLE ENCODER OPTIONS			
RESOLUTION POST QUAD CTS/REV	ABSOLUTE ACCURACY +/--ARC-SEC	REPEATABILITY +/--ARC-SEC	THRU HOLE PRESENT
11,840 (1Vpp)	30/3	Consult Factory	YES
40,000	240/NA	40	NO
80,000	240/NA	40	NO
236,800	30/3	6	YES
473,600	30/3	4	YES
1,184,000	30/3	2	YES
2,368,000	30/3	1	YES
4,736,000	30/3	0.5	YES

Min Receiver Clock Frequency (MHz)	Max Speed (rpm)								
	Resolution								
	11,840 (1Vpp)	40,000 cts/rev	80,000 cts/rev	47,360 cts/rev	236,800 cts/rev	473,600 cts/rev	1,184,000 cts/rev	2,368,000 cts/rev	4,736,000 cts/rev
50	2,546	2,546	2,546	2,546	2,546	2,546	1,650	825	413
40	2,546	2,546	2,546	2,546	2,546	2,546	1,375	688	344
25	2,546	2,546	2,546	2,546	2,546	2,546	2,063	825	413
20	2,546	2,546	2,546	2,546	2,546	2,546	1,719	688	344
12	2,546	2,546	2,546	2,546	2,292	1,146	458	229	115
10	2,546	2,546	2,546	2,546	2,063	1,031	413	206	103
8	2,546	2,546	2,546	2,546	1,650	825	328	165	83
6	2,546	2,546	2,546	2,546	1,146	573	229	115	57
4	2,546	2,546	2,546	2,546	858	428	171	86	43
1	2,546	2,546	2,546	1,070	214	107	41	21	11

PROPRIETARY AND CONFIDENTIAL  
 THE INFORMATION CONTAINED IN THIS DRAWING IS THE SOLE PROPERTY OF PRIME DRIVES, INC. OF SAN JOSE, CA. ANY REPRODUCTION IN PART OR AS A WHOLE WITHOUT THE WRITTEN PERMISSION OF PRIME DRIVES IS PROHIBITED.

UNLESS OTHERWISE SPECIFIED: DIMENSIONS ARE IN MM TOLERANCES: NONE		DRAWN: STAHLER	NAME:	DATE: 6-5-08
3rd ANGLE PROJECTION		CHECKED:	ENG APPR:	MFG APPR:
INTERPRET GEOMETRIC TOLERANCING PER ANSI Y 14.5		G.A.:	PRIME DRIVES 115 PHELAN AVE #4, SAN JOSE, CA 95112 PH: (408) 993-0202 FAX: (408) 993-0123	
MATERIAL:		TITLE: 145MM SERIES DISK SERIES MECHANICAL DIMENSIONS		
FINISH:		SIZE: C DWG. NO. DS145-H REV 1		
APPLICATION:		SCALE: 3:4 WEIGHT: SHEET 1 OF 1		
DO NOT SCALE DRAWING		www.primedrives.com		