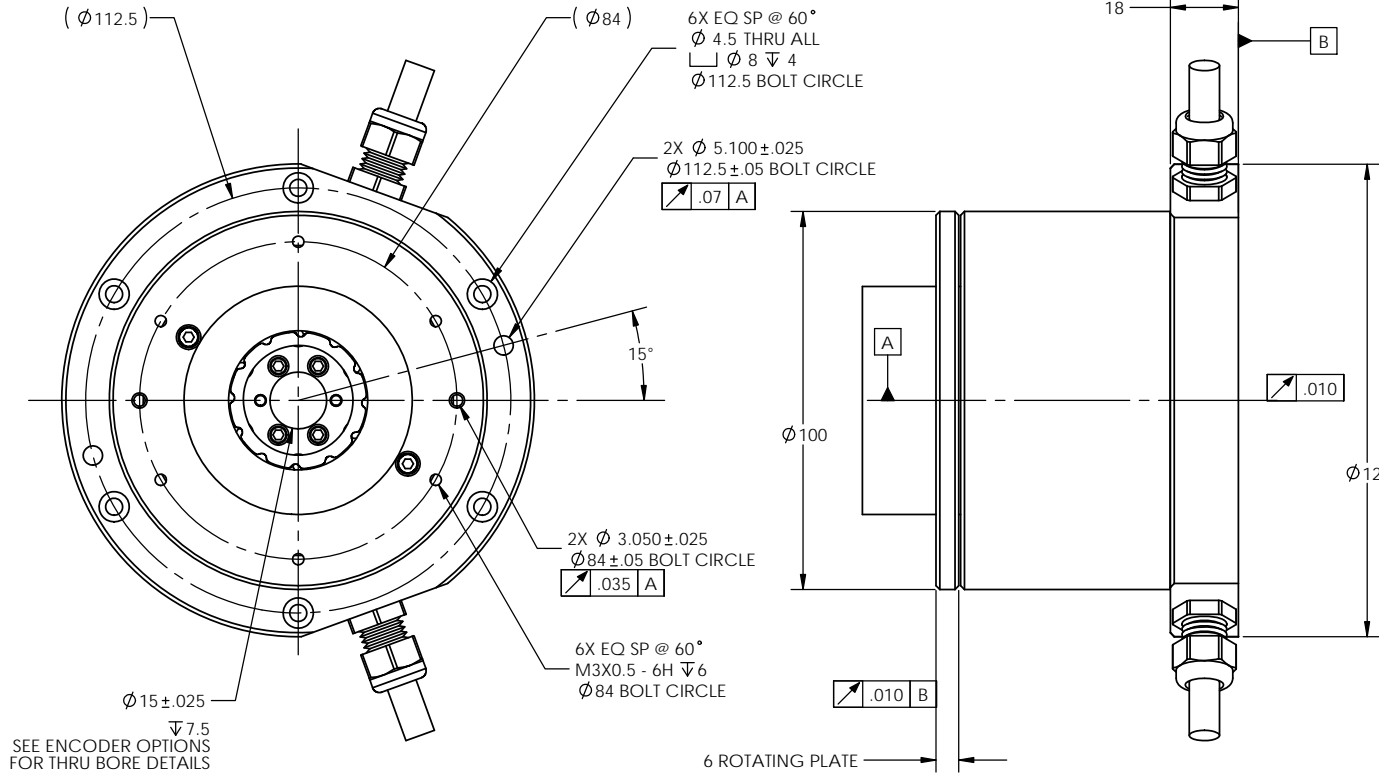


DS100 MECHANICAL PROPERTIES				
HEIGHT (MM)	80	93	106	119
POWER (WATTS)	100	150	230	280
TORQUE, CONT (N-m)	0.5	1.0	1.3	1.7
TORQUE, PEAK (N-m)	3.5	5.0	6.6	8.9
RATED AXIAL LOAD* (N)	100	100	100	100
RATED MOMENT LOAD* (N-m)	300	300	300	300
ROTOR INERTIA (Kg-m <sup>2</sup> )	.00029	.00031	.00033	.00035
MASS (Kg)	2.2	2.6	2.9	3.2



AVAILABLE WINDINGS					
BACK EMF CONSTANT (VDC/Krpm)	WINDING DESIGNATOR	DS100-80	DS100-93	DS100-106	DS100-119
30	B0	X	X		
40	C0	X	X		
50	D0	X	X		
60	E0	X			
70	F0	X	X	X	
80	G0	X	X	X	
100	J0	X	X	X	
120	K0	X	X	X	
140	L0		X	X	
160	M0		X	X	
180	V0		X	X	
200	W0			X	
240	SA				X

AVAILABLE ENCODER OPTIONS			
RESOLUTION POST QUAD CTS/REV	ABSOLUTE ACCURACY +/--ARC-SEC	REPEATABILITY +/--ARC-SEC	THRU HOLE PRESENT
8,192	480	40	NO
8,192 (1Vpp)	45/15	consult factory	yes
32,768	45/15	40	YES
163,840	45/15	10	YES
327,680	45/15	4	YES
819,200	45/15	2	YES
1,638,400	45/15	2	YES
3,276,800	45/15	.5	YES

Min Receiver Clock Frequency (MHz)	Maximum Speed (RPM)						
	8,192 (1Vpp)	32,768 cts/rev	163,840 cts/rev	327,680 cts/rev	819,200 cts/rev	1,638,400 cts/rev	3,276,800 cts/rev
50	3,673	3,673	3,673	3,673	2,380	1,190	595
40	3,673	3,673	3,673	3,673	1,983	992	496
25	3,673	3,673	3,673	2,975	1,190	595	297
20	3,673	3,673	3,673	2,479	992	496	248
12	3,673	3,673	3,306	1,653	661	331	165
10	3,673	3,673	2,975	1,487	595	297	149
8	3,673	3,673	2,380	1,190	474	238	119
6	3,673	3,673	1,653	826	331	165	83
4	3,673	3,673	1,238	617	246	124	62
1	1,543	1,543	309	154	59	31	15

PROPRIETARY AND CONFIDENTIAL  
 THE INFORMATION CONTAINED IN THIS DRAWING IS THE SOLE PROPERTY OF PRIME DRIVES, INC. OF SAN JOSE, CA. ANY REPRODUCTION IN PART OR AS A WHOLE WITHOUT THE WRITTEN PERMISSION OF PRIME DRIVES IS PROHIBITED.

UNLESS OTHERWISE SPECIFIED: DIMENSIONS ARE IN MM TOLERANCES: NONE		DRAWN: STAHLER	NAME:	DATE:
3rd ANGLE PROJECTION		CHECKED:	ENG APPR:	MFG APPR:
INTERPRET GEOMETRIC TOLERANCING PER ANSI Y 14.5		MATERIAL:	G.A.:	
FINISH:	DO NOT SCALE DRAWING	www.primedrives.com		

PRIME DRIVES 115 PHELAN AVE #4, SAN JOSE, CA 95112 PH: (408) 993-0202 FAX: (408) 993-0123		TITLE: <b>100MM SERIES DISK SERIES MECHANICAL DIMENSIONS</b>	
SIZE: <b>C</b>	DWG. NO: <b>DS100-H</b>	REV: <b>1</b>	
SCALE: 1:3	WEIGHT:	SHEET 1 OF 1	